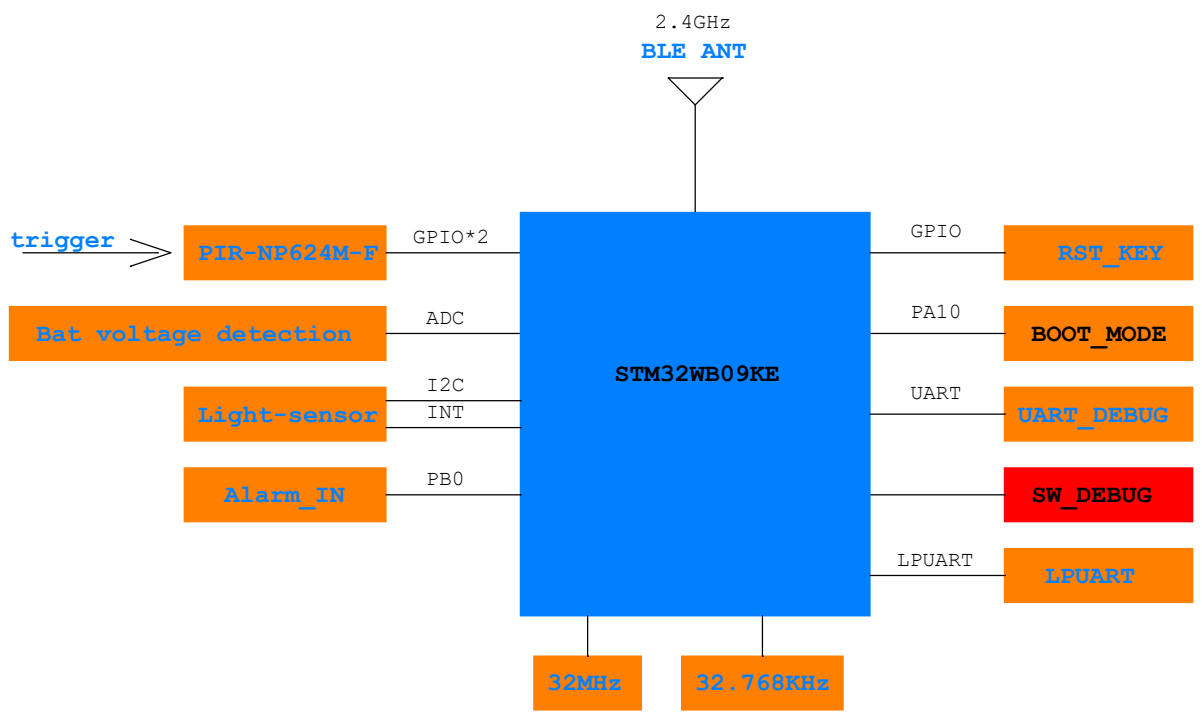
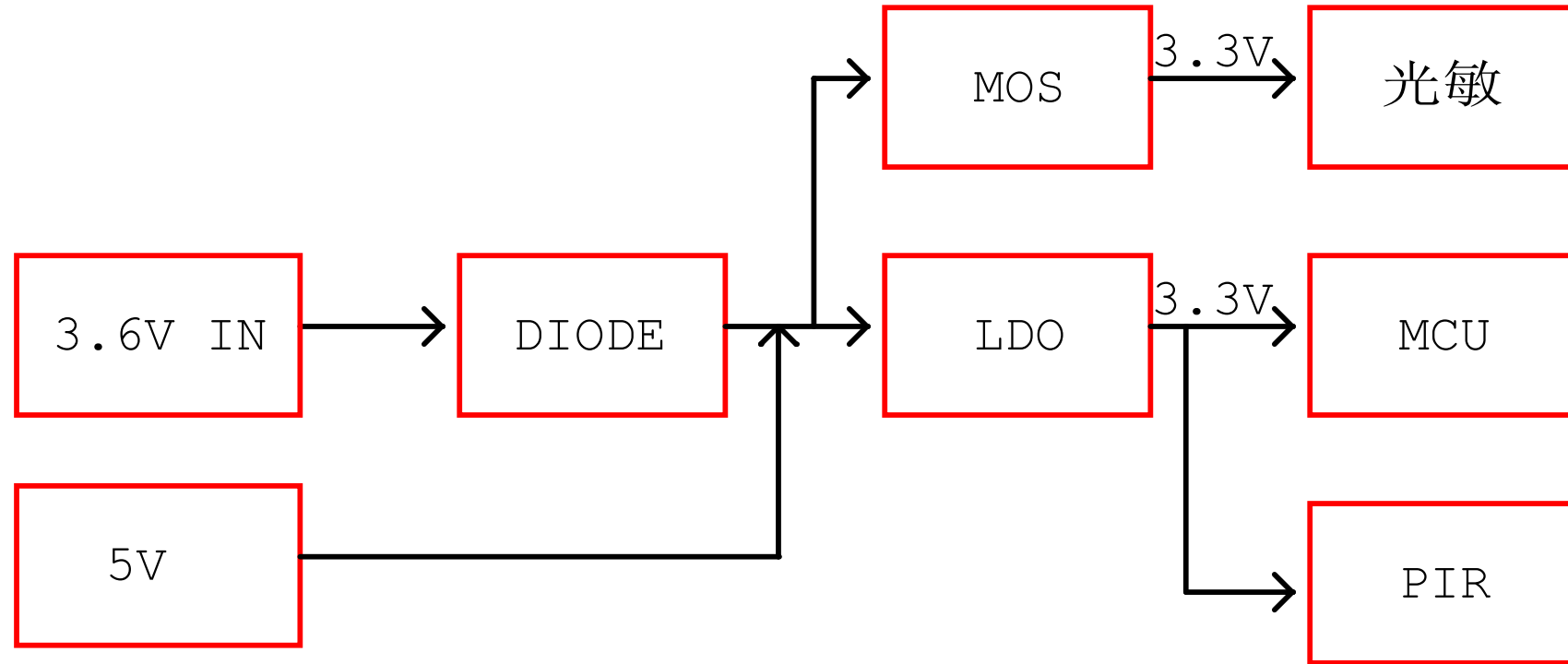



# BLOCK DIAGRAM

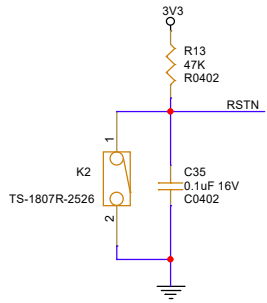


# POWER TREE

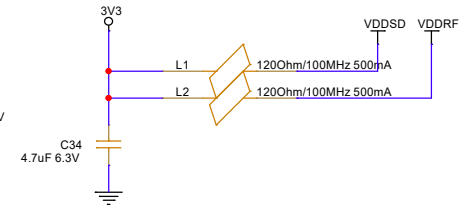
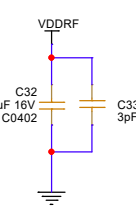
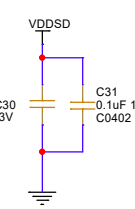
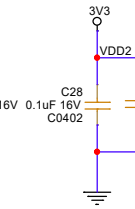
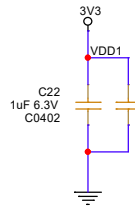
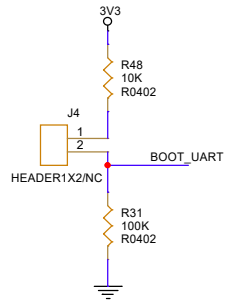


		<a href="https://www.camthink.ai">https://www.camthink.ai</a>	
Title		<b>PowerTree</b>	
Size	Project Name	Rev	
A4	<b>NE301</b>	1.0	
Date:	Wednesday, February 25, 2026	Sheet	2 of 5

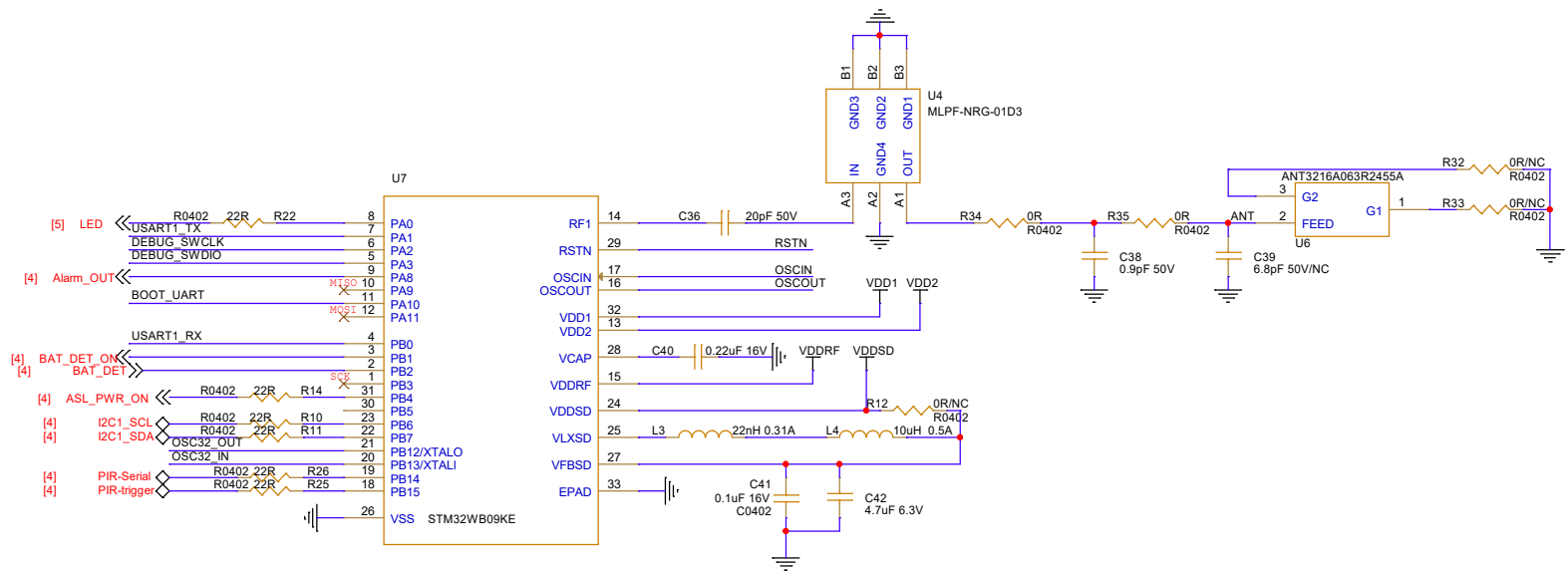
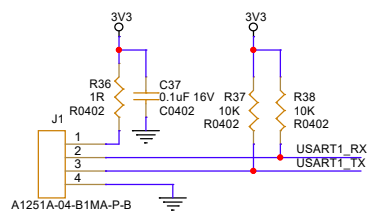
# RESET



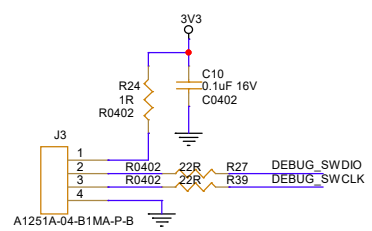
# BOOT



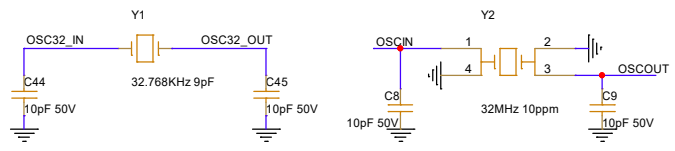
# UART1



# ST-LINK

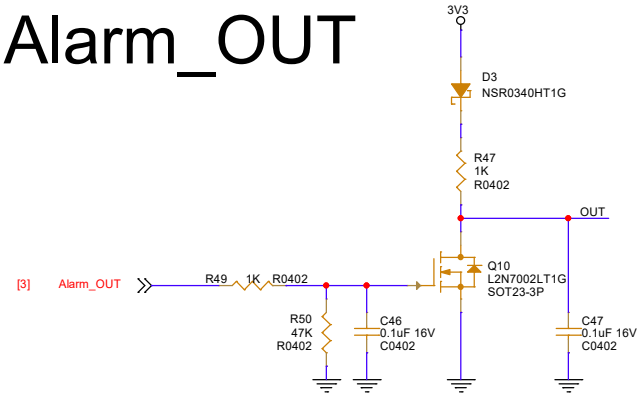


# CLK

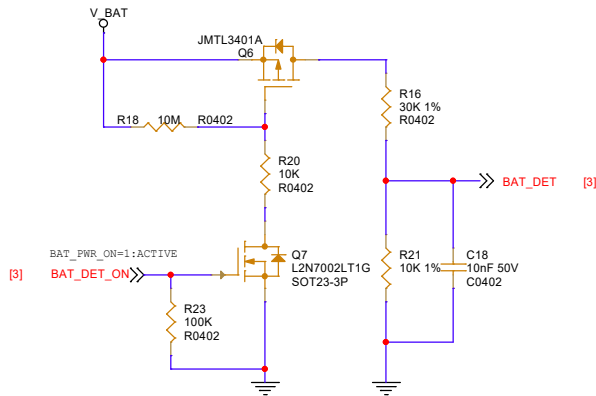


CamThink		Title	
Project Name		STM32-N6	
Size	A3	Rev	V1.0
Date:	Wednesday, February 25, 2026	Sheet	3 of 5

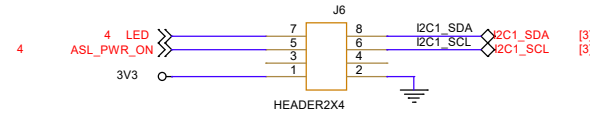
# Alarm\_OUT



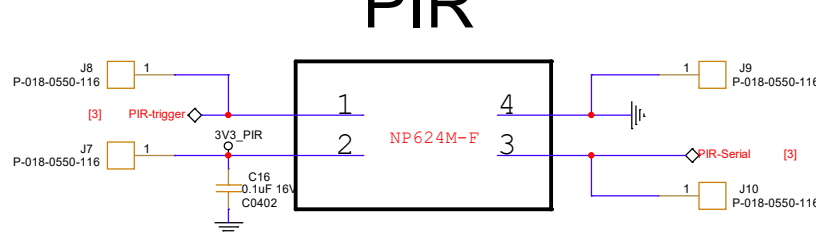
# BATTERY DET



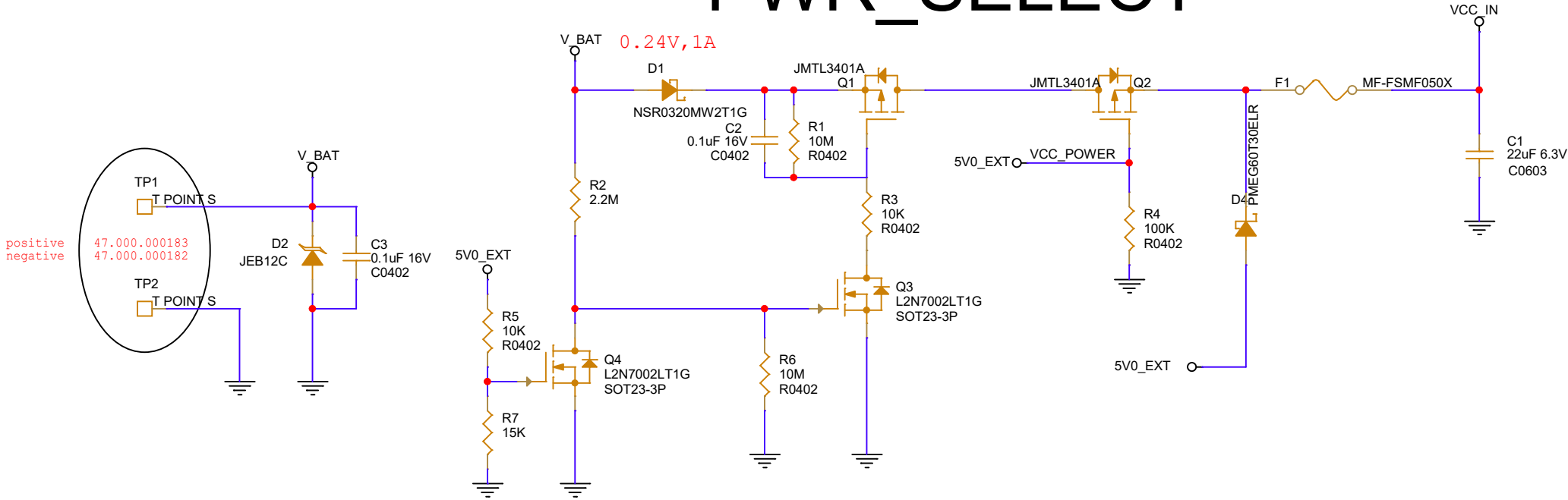
# ASL



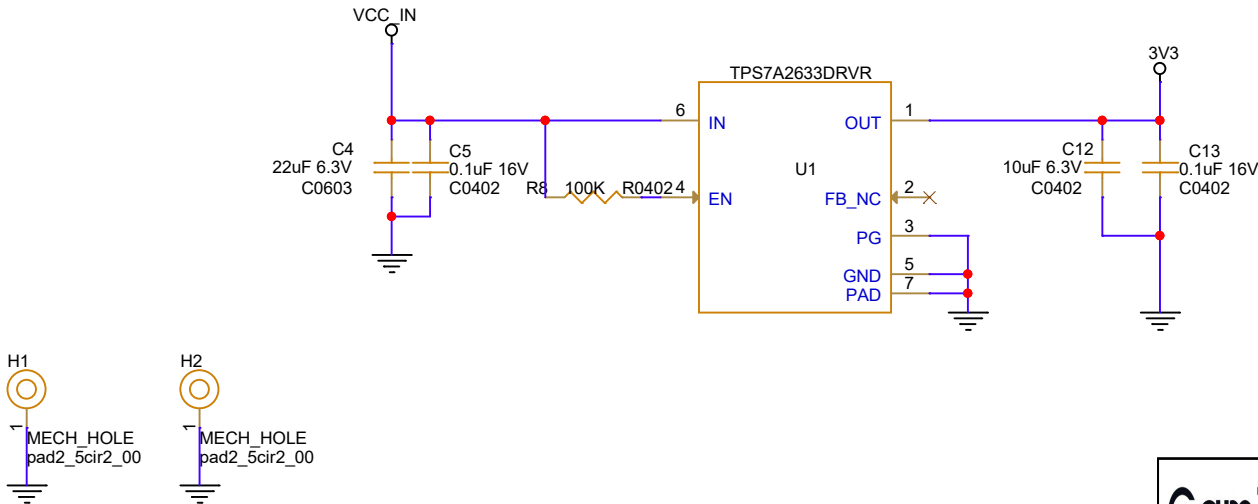
# PIR



# PWR\_SELECT



# MCU\_PWR



		<a href="https://www.camthink.ai">https://www.camthink.ai</a>	
		Title <b>Power-Supply</b>	
Size A4	Project Name <b>NE301</b>	Rev V1.0	
Date: Wednesday, February 25, 2026	Sheet 5 of 5		