

INDEX

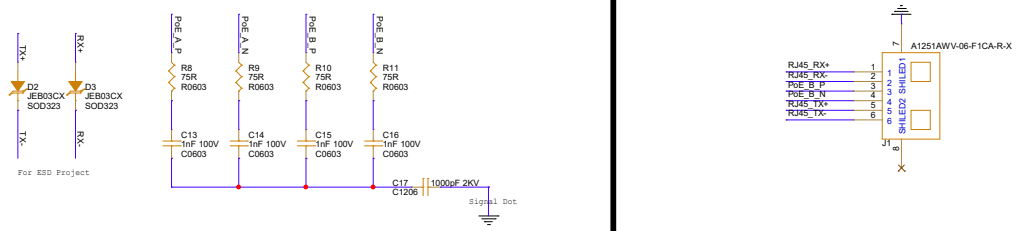
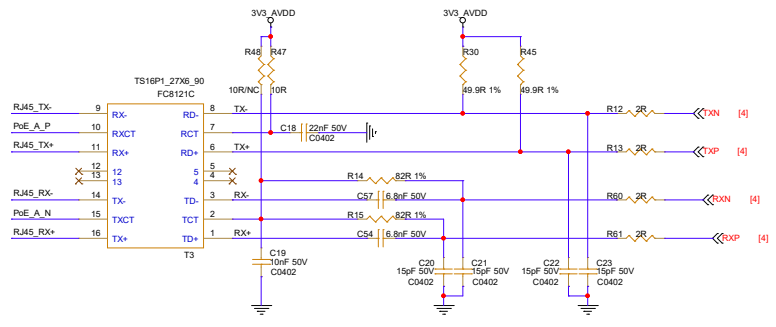
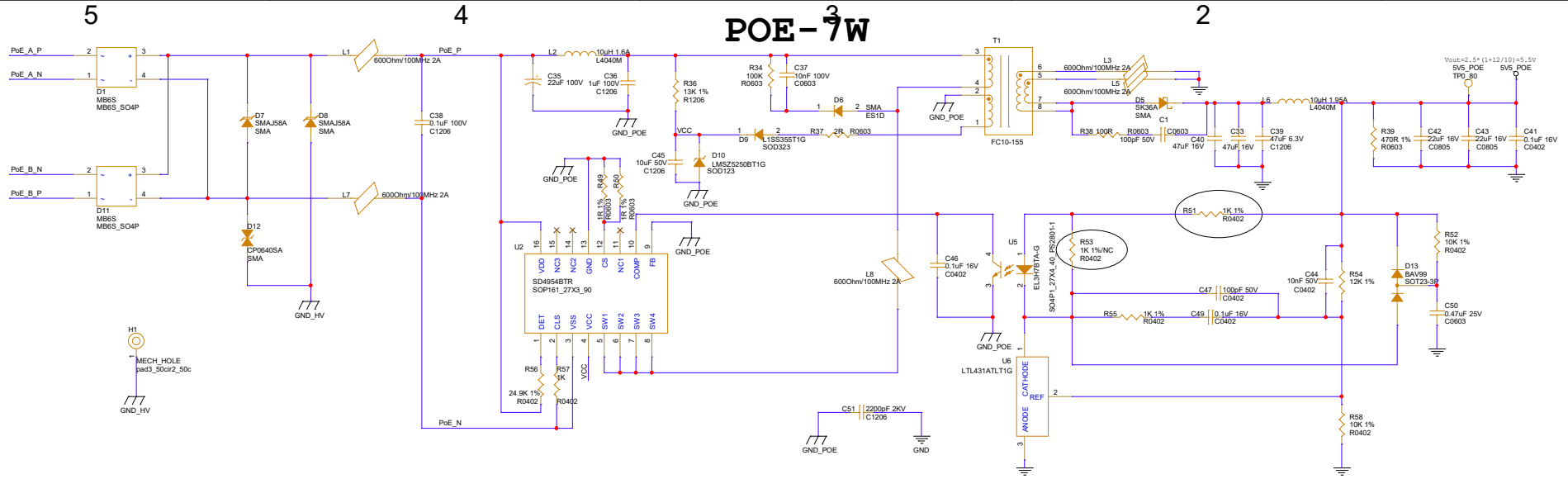
PAGE01.MAIN PAGE
PAGE02.Change List
PAGE03.POE POWER
PAGE04.W5500
PAGE05.Connect

ACE12-01-V1.1

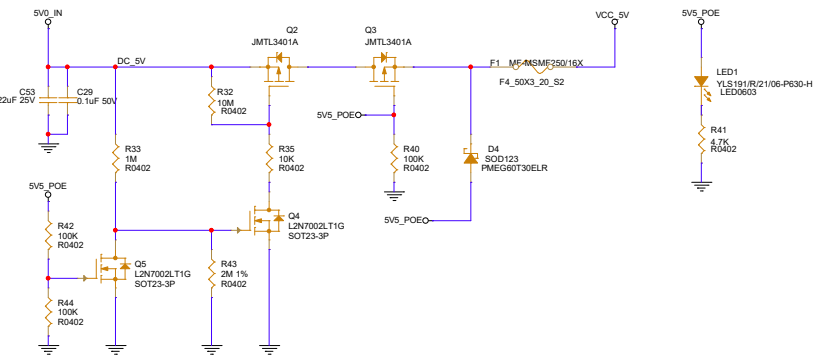
DESIGNED	XiaoWuXiong
REVISER	
REV	V1_1

Revision History

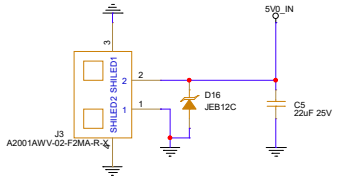
REV. CODE	DATE	Description
V1_0	2025/05/07	New Design
V1_1	2025/12/25	1、DC电源输入接口改成-2PIN间距2.0mm 2、4PIN-Wafe座子修改: 5V输出, IN和OUT 3、排针取消 4、RS485改为2PIN-wafe座



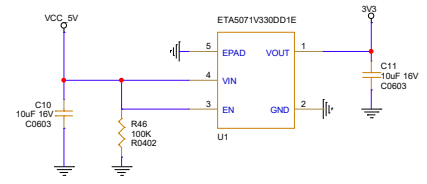
PWR_SELECT



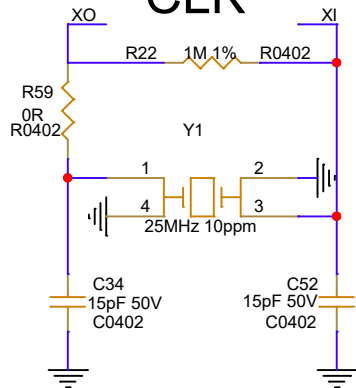
POWER-solar



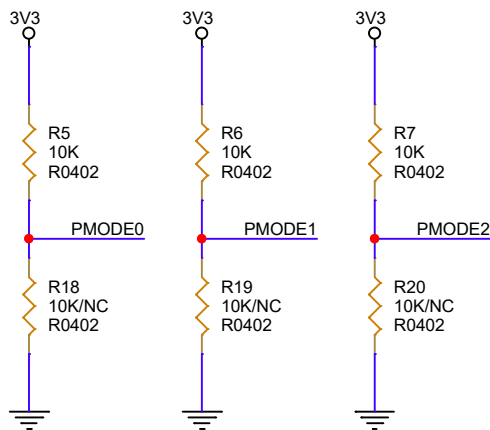
POWER-3V3



CLK

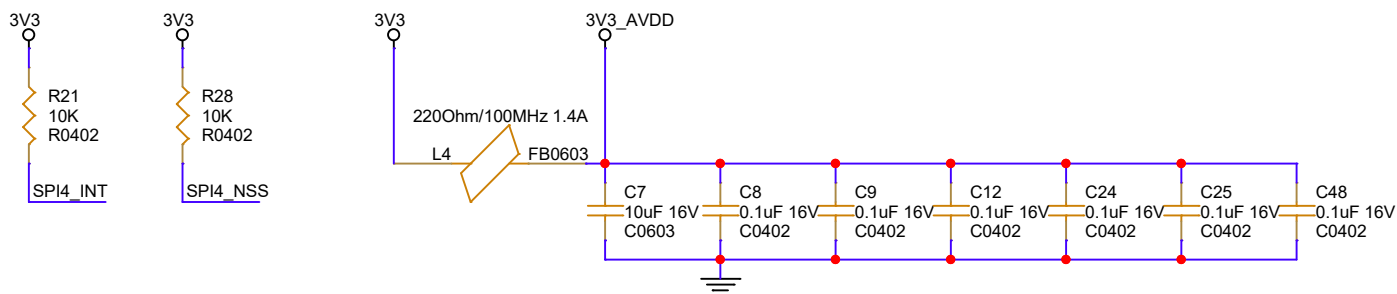
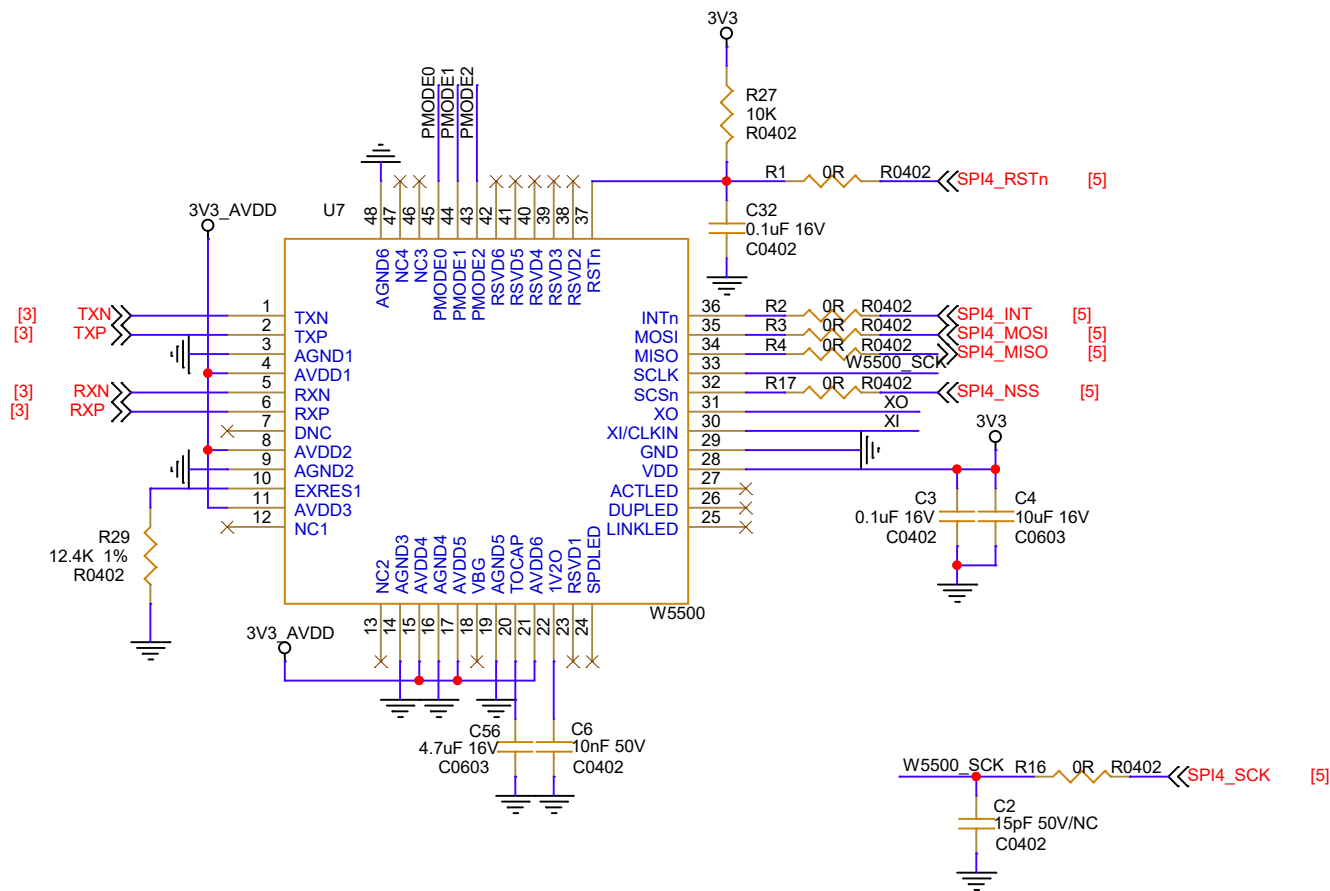


MODE



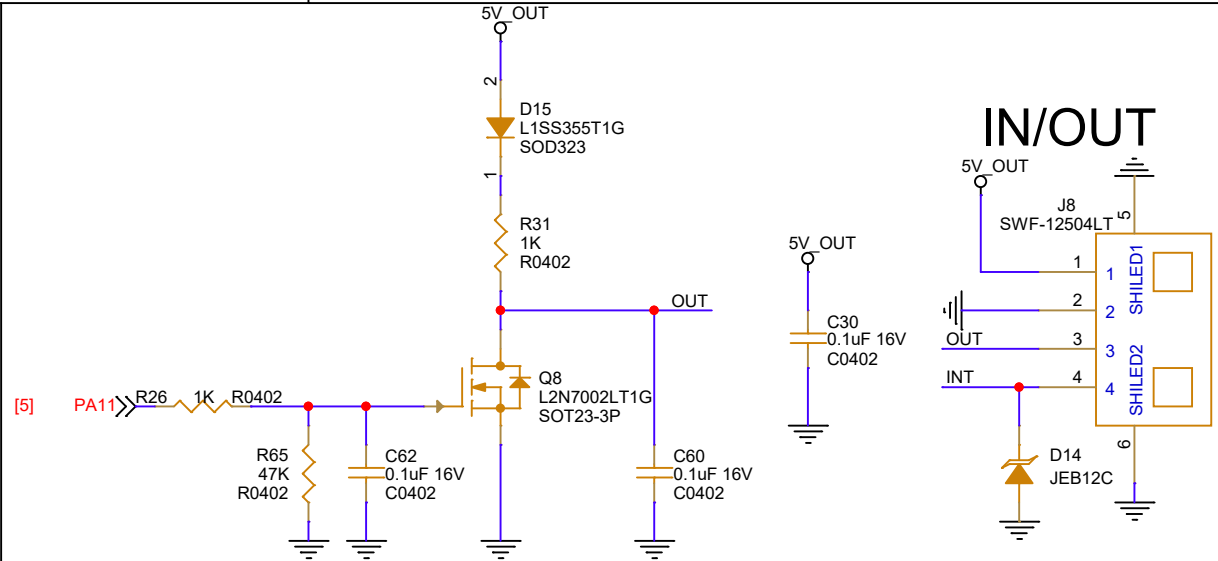
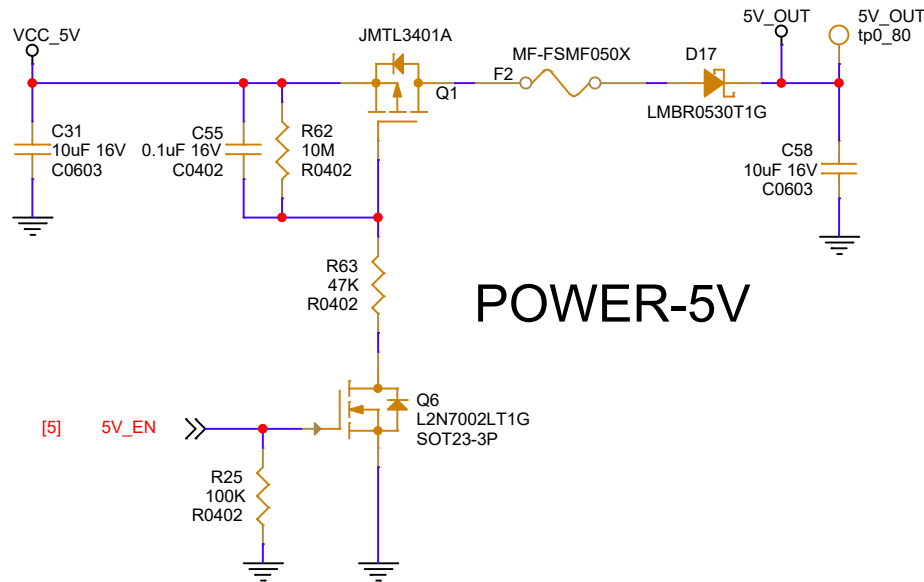
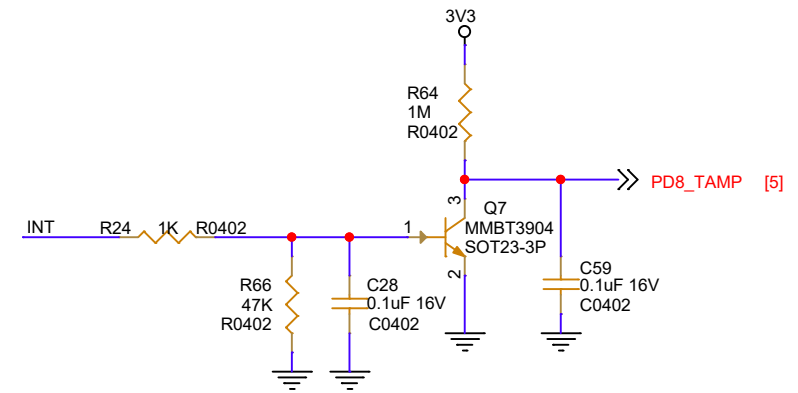
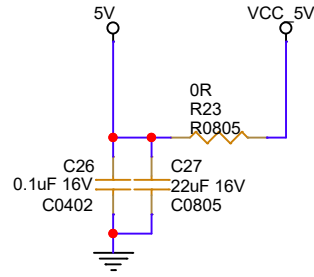
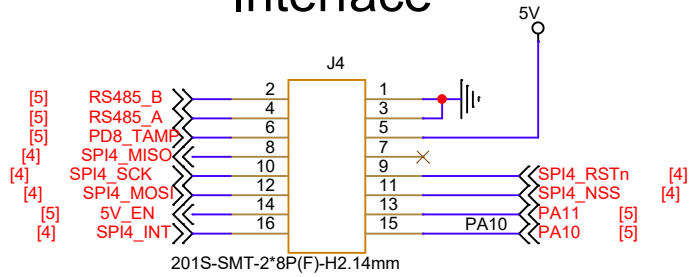
PMODE [2:0]			Description
2	1	0	
0	0	0	10BT Half-duplex, Auto-negotiation disabled
0	0	1	10BT Full-duplex, Auto-negotiation disabled
0	1	0	100BT Half-duplex, Auto-negotiation disabled
0	1	1	100BT Full-duplex, Auto-negotiation disabled
1	0	0	100BT Half-duplex, Auto-negotiation enabled
1	0	1	Not used
1	1	0	Not used
1	1	1	All capable, Auto-negotiation enabled

W5500

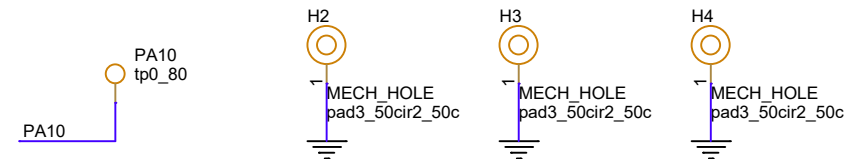
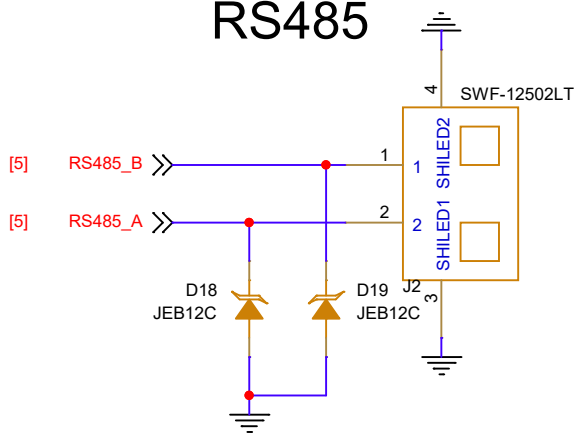


	https://www.camthink.ai	
	Title W5500	
Size A4	Project Name ACE12-01-V1.1	Rev 1.1
Date: Monday, January 19, 2026		Sheet 4 of 5

Interface



RS485



		https://www.camthink.ai	
Title		Connect	
Size	Project Name	Rev	
A4	ACE12-01-V1.1	1.1	
Date:	Monday, January 19, 2026	Sheet	5 of 5